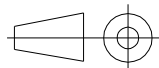
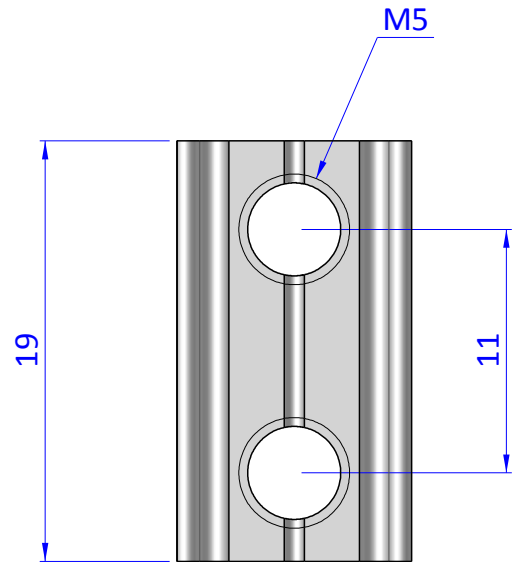
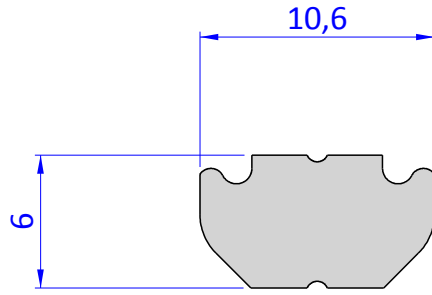
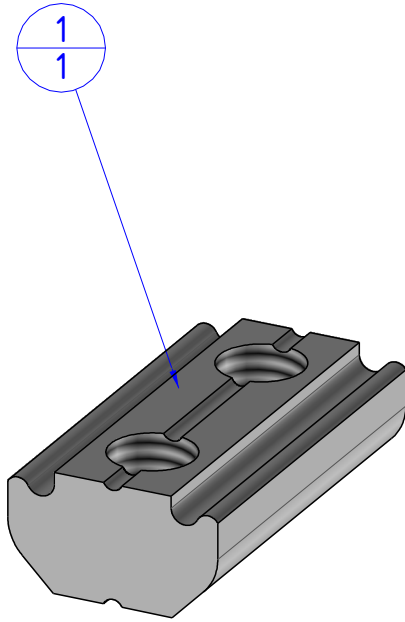


THE PROPERTY OF THE DRAWING IS ESTABLISHED BY LAW. IT IS FORBIDDEN TO PRODUCE OR SHOW IT TO THIRD PART. WITHOUT A WRITTEN AGREEMENT.

Item	Name	Q.ty
1	GWP.5.11	1



Format A4  
UNI 936-76

GENERAL TOLERANCE  
UNI - ISO 2768  
CLASSE f

DESCRIPTION  
CA.GWP.5.11

DESIGNED FROM <b>FP SERVICES</b>	REVIEW <b>A / 3</b>
DATE 11/10/2018	WEIGHT 0,007kg
CODE <b>CA.GWP.5.11</b>	